

## Achieving Excellent Picture Quality and Cost-efficiency in a Stylish Body, the SSC-E433P and SSC-E438P are the Perfect Choice for Almost Any Surveillance Application

Sony is expanding its surveillance video camera lineup with the introduction of the SSC-E433P and SSC-E438P. Both camera models incorporate a 1/3-type Super HAD CCD II, which offers highly improved sensitivity compared to the conventional Super HAD CCD. In combination with Sony's advanced Digital Signal Processing (DSP) technology, the CCD achieves a horizontal resolution of 540 TV lines, providing extremely clear and detailed images. Moreover, with their Day/Night function, the cameras offer optimal sensitivity in changing light conditions, which is a typical challenge of round-the-clock surveillance monitoring applications. What's more, because of their compact and lightweight body, these cameras can be installed in locations where space is limited and where previously it was difficult to install cameras with similar functionality due to their larger size. The SSC-E433P and E438P are also equipped with a variety of convenient features such as Auto Tracing White Range (ATW), Back Light Compensation (BLC), and Turbo Automatic Gain Control (Turbo AGC) for great usability. Providing excellent picture quality and user-friendly features, the SSC-E433P and SSC-E438P are the perfect solution for surveillance applications in locations such as retail stores, offices, banks, and more.



Color Video Camera

### SSC-E433P / SSC-E438P

#### Features

##### Excellent Picture Quality

- **Super HAD CCD II Technology**

The SSC-E433P/E438P incorporates the newly developed Super HAD CCD II. This technology allows users to obtain images with extremely high sensitivity. Moreover, the SSC-E433P/E438P provides a minimum illumination of 0.4 lx at F1.2 in color mode and 0.05 lx at F1.2 in B/W mode. Therefore, the cameras can reproduce images with high picture quality, even under low lighting conditions.

- **Innovative DSP Technology**

Unlike conventional DSPs, the advanced DSP technology from Sony that is employed in these cameras increases the horizontal resolution attainable by the CCD. The combination of this DSP technology and the Super HAD CCD II technology enables the cameras to offer a high horizontal resolution of 540 TV lines, providing amazingly clear and detailed images.

##### Day/Night Function

The SSC-E433P/E438P features a "Day/Night" capability, which provides optimized sensitivity in both day- and night-shooting applications. As the scene darkens, an infrared filter is automatically replaced with a clear filter and the camera switches to black-and-white mode, allowing for operation at a minimum illumination of 0.05 lx (Automatic switch only).

##### Compact and Stylish Design

The compact and lightweight body of the cameras makes them easy to install in space-restricted areas.

##### Wider Auto Tracing White (ATW) Range/ATW Pro

ATW is a feature that automatically adjusts the camera's white balance to adopt to changing light conditions. The SSC-E433P/E438P provides an extremely wide ATW range of 2,000 K to 10,000 K, allowing adjustment-free operation under a variety of light conditions. Users can choose from two modes: ATW Pro and ATW. ATW Pro mode is particularly suited to applications where the operator needs to see objects as they appear to the eye. This ensures that a precise color image is always obtained.

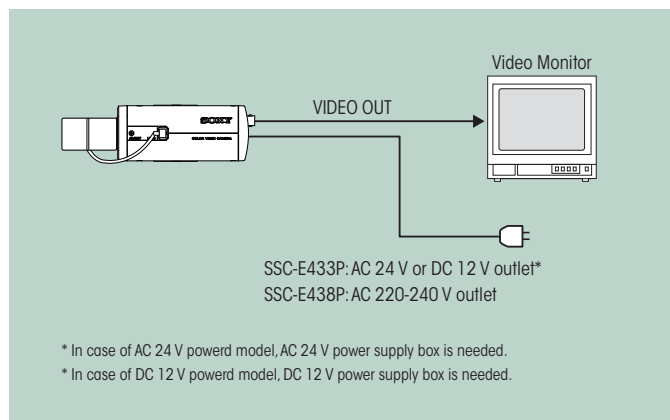
##### Back Light Compensation (BLC)

Unwanted backlighting tends to cause the subject matter of an image to be cast into shadow. The BLC function of these cameras automatically compensates for such undesirable conditions and improves the visibility of the subject.

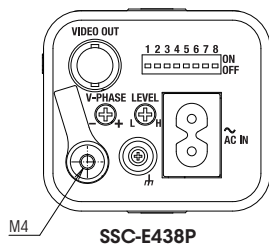
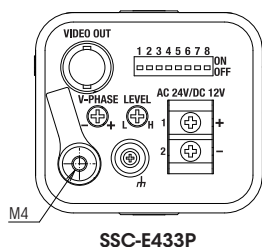
##### Other Features

- Internal Lock/Line Lock
- CCD Iris
- Turbo AGC
- AC 24V/DC 12V operation (for SSC-E433P)
- AC 220V~240V operation (for SSC-E438P)

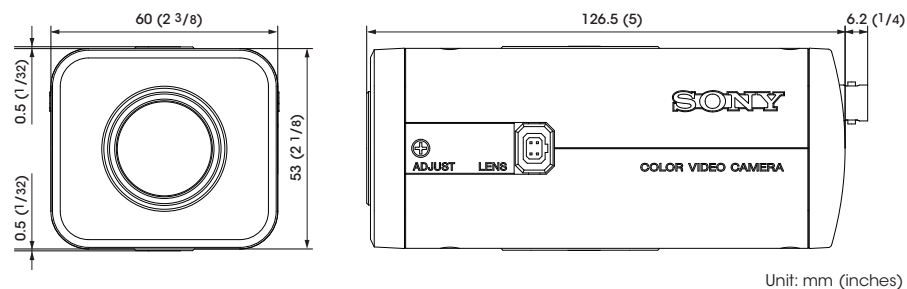
## System Configurations



## Rear Panel



## Dimensions



## Specifications

	SSC-E433P	SSC-E438P
Image device	1/3-type Super HAD CCD II	
Picture elements (H x V)	752 x 582	
Sensing area	4.8 x 3.6 mm	
Signal system	PAL standard	
Sync system	Internal/Line Lock	
Horizontal resolution	540 TV lines	
Lens mount	CS mount (C mount is mountable using adaptor)	
Minimum illumination	Color: 0.4 lx at F1.2 (50 IRE, AGC ON) B/W : 0.05 lx at F 1.2 (50 IRE, AGC ON)	
AGC	TURBO/OFF switchable	
CCD IRIS	ON/OFF switchable, 1/50 to 1/ 100,000 s	
White Balance (WB)	Auto White Balance Pro (ATW Pro)/Auto White Balance (ATW)	
Back-Light Compensation (BLC)	ON/OFF switchable	
S/N ratio	Better than 50 dB (AGC OFF, WEIGHT ON)	
Video out	1.0 Vp-p, 75 Ω, sync negative	
Auto iris lens	DC servo	
Operating temperature	-10 to 50 °C (14 to 122 °F)	
Storage temperature	-40 to 60 °C (-40 to 140 °F)	
Power requirements	AC 24 V +10%, 50 Hz or DC 12 V +10% AC 220 V to 240 V +10%, 50 Hz	
Power consumption	4.0 W	
Mass	390 g (14 oz)	410 g (14 oz)
Dimensions (W x H x D)	60 x 53 x 124 mm (2 3/8 x 2 1/8 x 5 inches)	
Supplied accessories	Lens mount cap (1), Operating instruction (1), Fall-prevention wire rope (1), Shoulder screw M4 (1), AC power cable (SSC-E438P only) (1)	

Distributed by

© 2008 Sony Corporation. All rights reserved.  
Reproduction in whole or in part without written permission is prohibited.  
Design, features and specifications are subject to change without notice.  
All non-metric weights and measures are approximate.  
Sony is a registered trademark of Sony Corporation.  
Super HAD CCD II is a trademark of Sony Corporation.  
All other trademarks are the property of their respective owners.