

Make the move from CCTV to IP-based monitoring with the affordable Sony SNC-CS10 and SNC-CS11

The Sony SNC-CS10 and SNC-CS11 cameras are designed specifically for high-quality and affordable network-based monitoring. They combine high performance with value-added features such as built-in activity detection and pre-/post-alarm recording, and also boast a DC Servo Auto Iris Lens capability that makes them ideal for both indoor and outdoor use. Plus, because they are similar in size to CCTV cameras, you can install them using 8-inch camera housings.

Equipped with Sony progressive scan CCDs and advanced DSP technology, these cameras produce high-resolution images and deliver excellent color reproduction capabilities. They also support both JPEG and MPEG-4 compression formats for great flexibility when configuring your network environment or choosing an application.

For further efficiency and effectiveness in operating your IP monitoring system, these cameras offer a simultaneous access capability, a multicasting feature, and a choice of network security functions such as IP filtering and password protection.

If you want an affordable, feature-rich solution for your IP-based security and surveillance applications, the Sony SNC-CS10 and SNC-CS11 cameras are a perfect choice.

Sony Network Cameras

SNC-CS10 SNC-CS11



SNC-CS11

Connect Your Vision

IPELA™

FEATURES

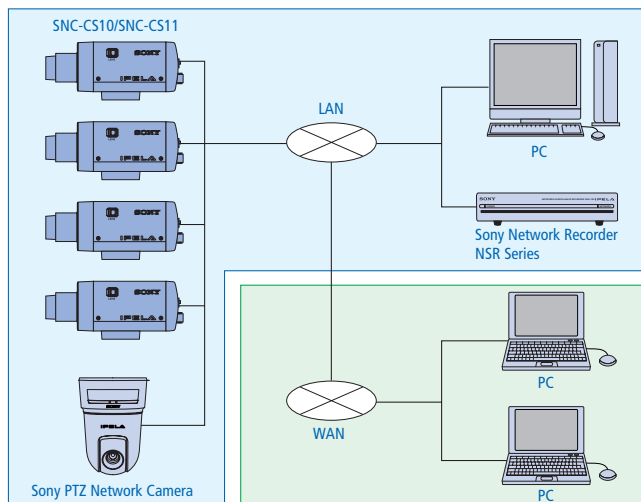
- **Compact and Slim**
 - Design inherited from CCTV cameras
 - Fits 8-inch camera housings
- **DC Servo Auto Iris Lens capability – ideal for both outdoor and indoor use**
- **Sony progressive scan CCDs and advanced DSP technology – provides clear and detailed images while maintaining high sensitivity**
- **Variety of power options: AC 24 V, DC 12 V, or PoE (Power over Ethernet)*1**
 - Easy wiring with PoE (SNC-CS11 only)
- **Analog video output – ideal for use when adjusting the camera viewing angle during installation**
- **Flange-back adjustment – for precise and easy focus settings**
- **Choice of compression formats: MPEG-4 and JPEG**
- **Five preset JPEG picture-quality settings with constant bitrate algorithm**
 - Limits data bitrate while maintaining high-quality images
 - Ideal when network bandwidth is limited
 - Useful for calculating the required bandwidth during installation
- **Alarm function – with activity detection and pre-/post-alarm recording modes**
- **Bi-directional audio function (SNC-CS11 only)**
- **Aspherical vari-focal lens – eliminates spherical aberration and minimizes wide-angle distortion (SNC-CS11 only)**

*1 The SNC-CS10 does not support PoE.

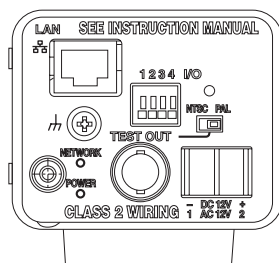
SPECIFICATIONS

| | SNC-CS10 | SNC-CS11 |
|---|---|--|
| Camera | | |
| Image device | 1/4-type Progressive Scan CCD | |
| Number of effective pixels | 330,000 pixels (659 x 494) | |
| Electronic shutter | Auto/Manual | |
| Gain control | Auto/Manual (-3 dB to +28 dB) | |
| Exposure control | Auto/Shutter priority/Manual | |
| White balance mode | ATW/Indoor/Outdoor/One-push auto/Manual | |
| Lens type | — | Vari-focus zoom lens |
| Zoom ratio | 1.5/2.0x optical zoom | |
| Horizontal viewing angle | 2.2 to 54.2 degrees | |
| Focal length | f=3.0 to 8.0 mm (F1.0 to F1.4) | |
| F-number | F1.6 (wide), F3.8 (tele) | |
| Other functions | Activity Detection, Pre-/post-alarm recording | |
| Image | | |
| Image size (H x V) | 640 x 480, 480 x 360, 384 x 288, 320 x 240, 256 x 192, 160 x 120 (JPEG, MPEG-4) | |
| Compression format | JPEG, MPEG-4 | |
| Maximum frame rate | JPEG/MPEG-4 : 30 fps (640 x 480) | |
| Audio | | |
| Audio compression | G.711(64 kbps)/G.726 (40, 32, 24, 16 kbps) | |
| Network | | |
| Protocols | TCP/IP, HTTP, ARP, ICMP, FTP, SMTP, DHCP, SNMP(MIB2), DNS, NTP, RTP/RTCP, PPPoE | |
| Number of clients | JPEG: 20, MPEG-4: 10 | |
| Interface | | |
| Ethernet | 10Base-T/100Base-TX (RJ-45) | |
| Analog video output | BNC x1, 1.0 Vp-p, 75 Ω | |
| I/O port | Sensor in x 1, Alarm out x 1 | |
| External microphone input | — | |
| Audio line output | — | Mini-jack (monaural), max output level: 1 Vrms |
| Analog video output | | |
| Signal system | NTSC/PAL (Composite) | |
| Horizontal resolution | 400 TV lines | |
| S/N ratio | more than 48 dB | |
| Min. illumination | 1.7 lx (50 IRE, F1.0, AGC ON) | |
| General | | |
| Mass | approx. 480 g (1 lb 1 oz) | approx. 525 g (1 lb 2 oz) |
| Dimensions (W x H x D) | 70 x 57 x 116 mm (2 7/8 x 2 1/4 x 4 5/8 inches) | |
| Power requirements | AC 24 V/DC 12 V | AC 24 V/DC 12 V/PoE |
| Power consumption | 5.7 W max. | |
| Operating temperature | -10 to 50 °C (14 to 122 °F) | |
| Storage temperature | -20 to 60 °C (-4 to 140 °F) | |
| System requirements | | |
| Operating system | Microsoft Windows 2000/XP | |
| Processor | CPU: Intel Pentium IV 1.5 GHz or higher | |
| Memory | RAM: 256 MB or more | |
| Web browser | Microsoft Internet Explorer Ver.5.5 or 6.0 | |
| Supplied accessories | | |
| CS-mount vari focal lens (SNC-CS11 only), Screw, Wire rope, AC Adaptor, AC Cable, CD-ROM (users guide, IP setup program, SNC audio upload tool, SNC video player, Customer homepage installer), Installation manual, Warrantee booklet, Warrantee sheet | | |

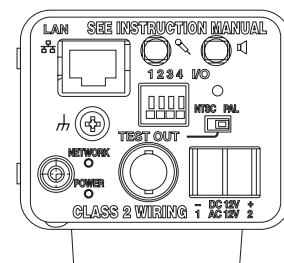
SYSTEM CONFIGURATION



REAR PANEL LAYOUT

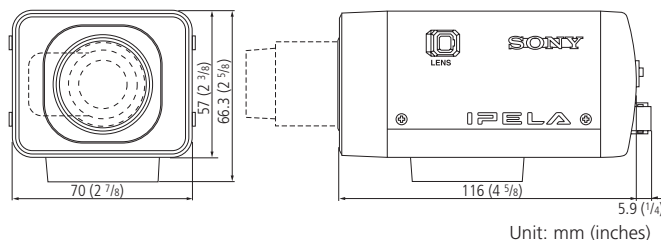


SNC-CS10



SNC-CS11

DIMENSIONS



Unit: mm (inches)

RECOMMENDED NETWORK RECORDERS



Network Surveillance Recorders

NSR Series (NSR-25/NSR-50/NSR-100)

Distributed by

©2006 Sony Corporation. All rights reserved.
 Reproduction in whole or in part without written permission is prohibited.
 Features and specifications are subject to change without notice.
 All non-metric weights and measurements are approximate.
 Sony is a registered trademark of Sony Corporation.
 IPELA is a trademark of Sony Corporation.