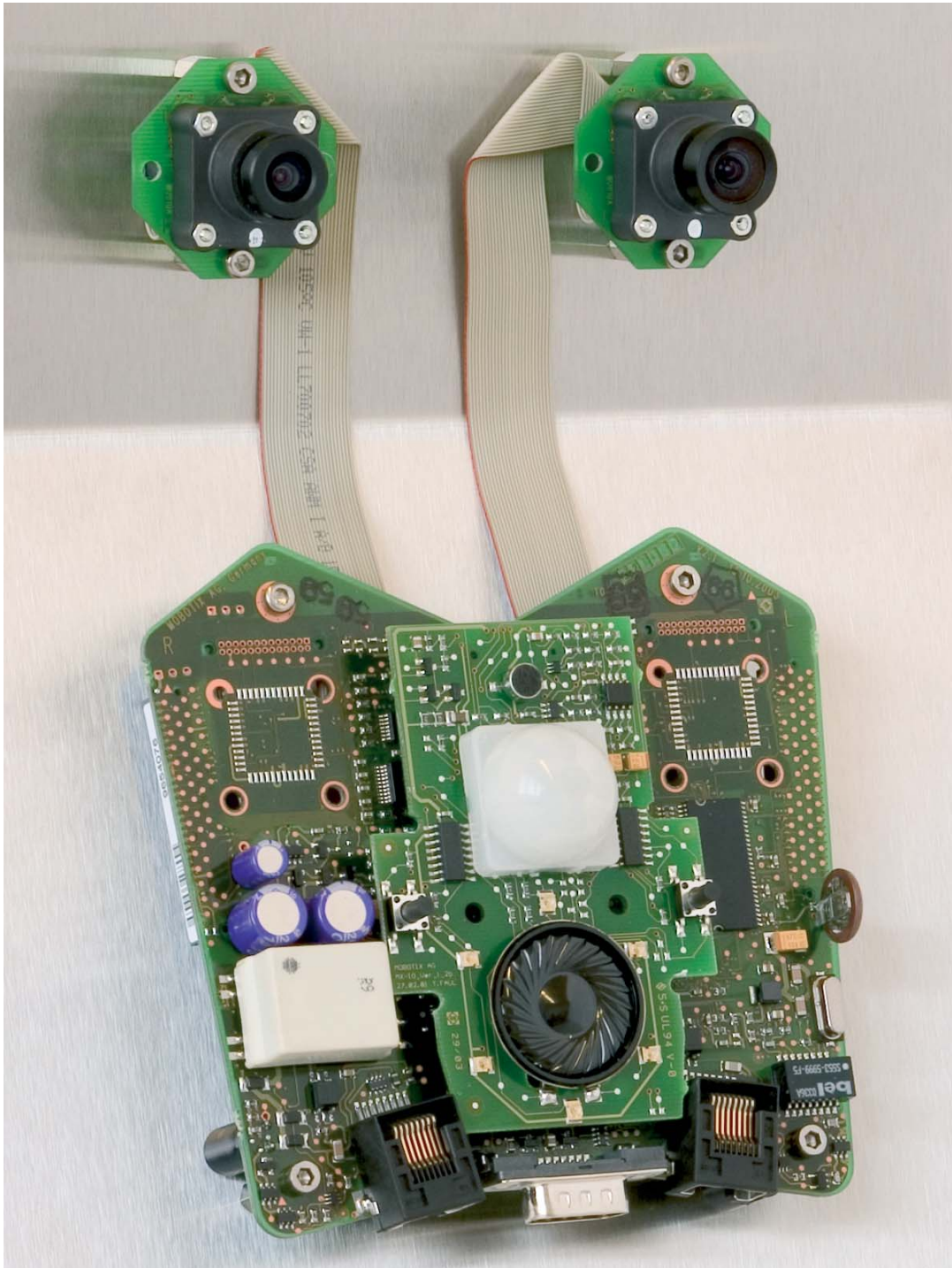


M10-DevKit



Technical Information

Lens Range



Fisheye



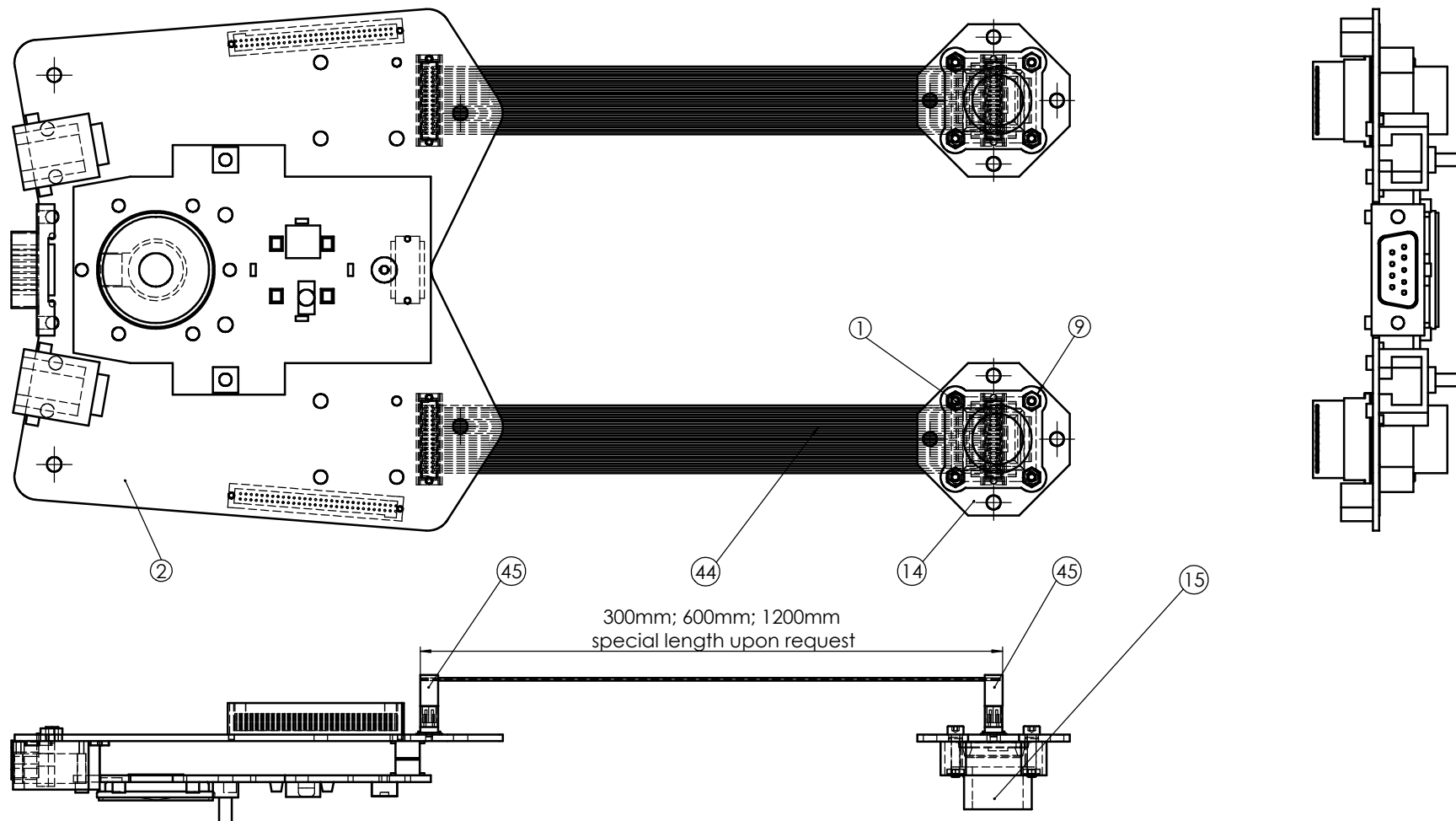
Wide Angle




Telephoto

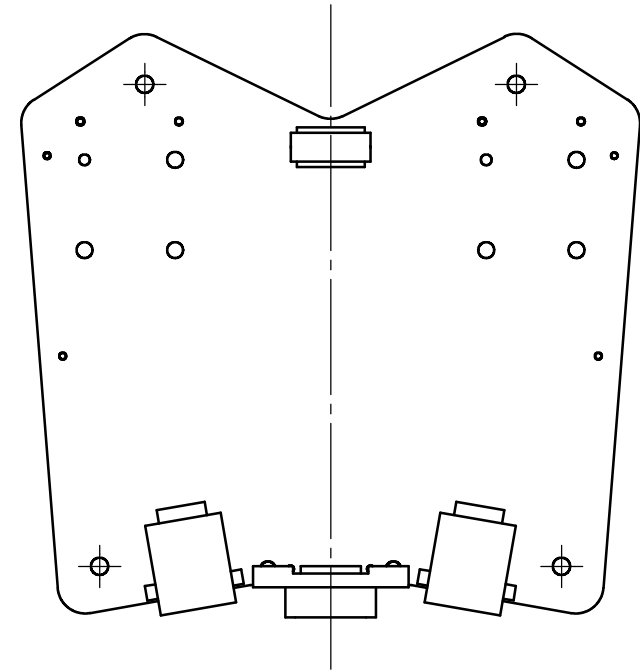
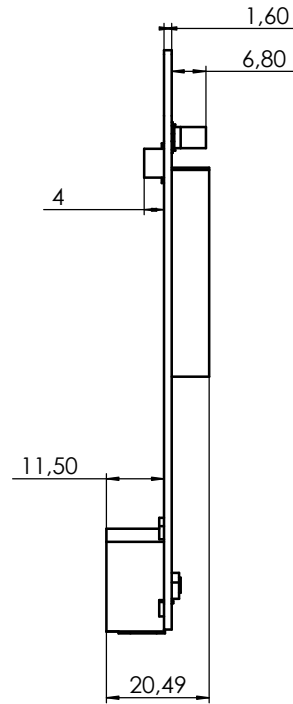
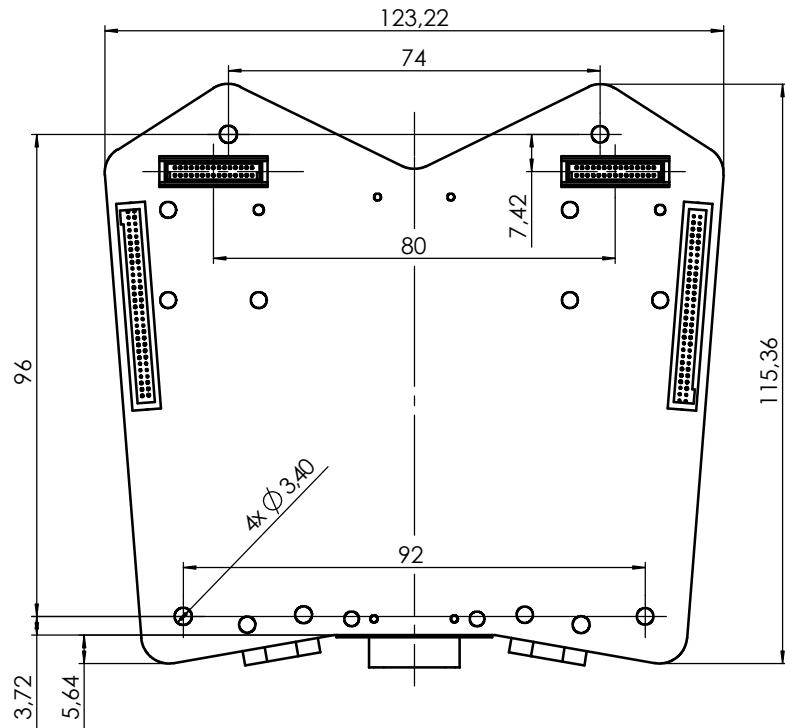



**Wide Angle
Backside**



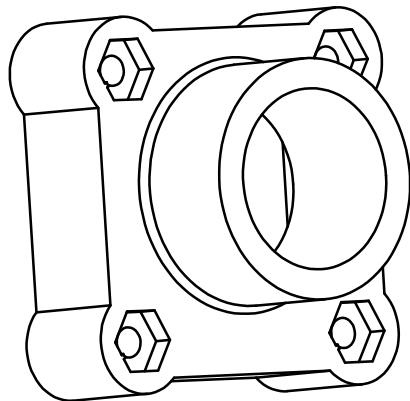
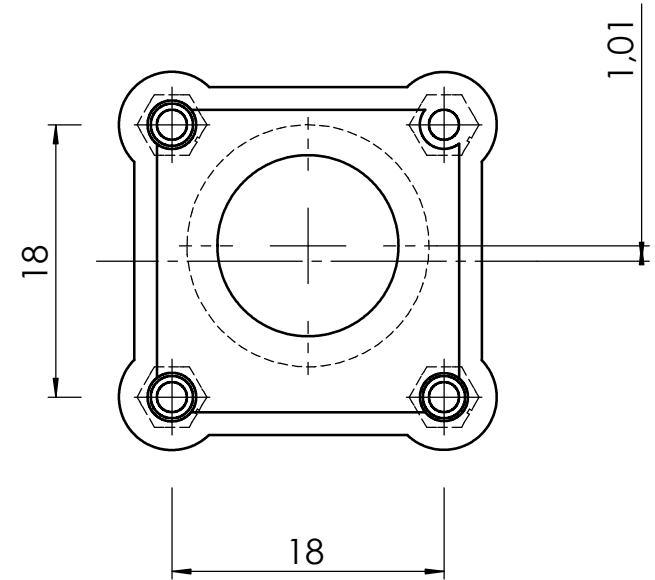
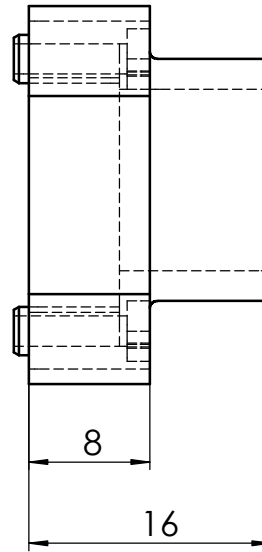
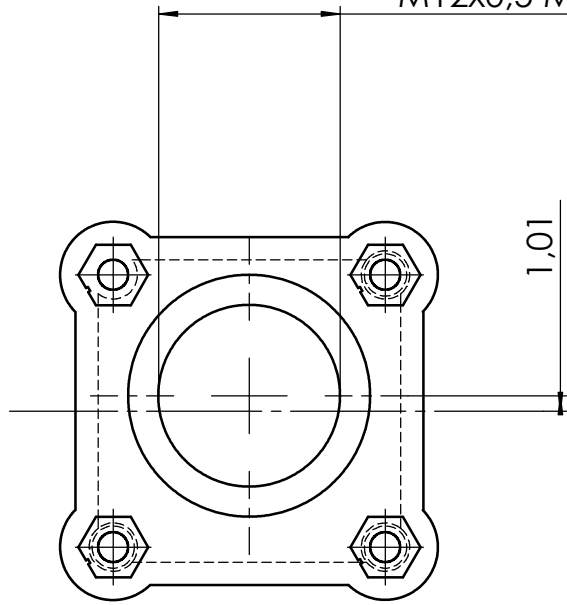
Pos.	Quantity	Title	Part Number
1	8	Screw M2x10 DIN 912	10.012
2	1	Integration Set complete	M1D-Integ-IT
9	8	Nut M2	10.027
14	2	Sensor Board	10.479
15	2	Lens housing M12, M13, M14	10.031
44	2	Flat cable	10.369
45	4	clamp	10.364

We reserve all right for this technical document. It may only be used for purposes determined by us and not be reproduced nor duplicated for third party use.	Date	Name	Material	Weight
	15.04.2004	Stefan Teufel		
	Control Norm	CAD-A3	SolidWorks	Scale 1:1
 www.mobotix.com			Integration Set	
			Integration Set_en	
Des. Changes	Date	Name	Replacement	Page 1 of 5



We reserve all right for this technical document. It may only be used for purposes determined by us and not be reproduced nor duplicated for third party use.	Date	Name	Material	Weight
	15.04.2004	Stefan Teufel		
	Control Norm	CAD-A3	SolidWorks	Scale 1:1
				Re Board V2.0
				Integration Set_en
Des.	Changes	Date	Name	Replacement
				Page 3 of 5

M12x0,5 M13x0,5 or M14x0,5 depending on lens



We reserve all right for this technical document. It may only be used for purposes determined by us and not be reproduced nor duplicated for third party use.

Date	Name
15.04.2004	Stefan Teufel
Process	
Control	
Norm	CAD-A4 SolidWorks

Material

Weight

Scale 2:1



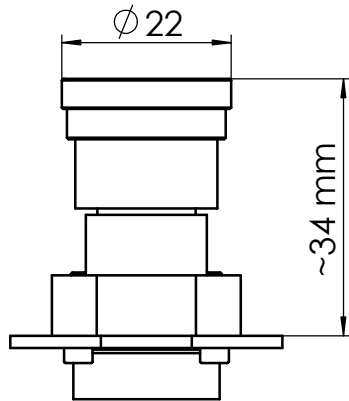
Lens housing

Integration Set_en

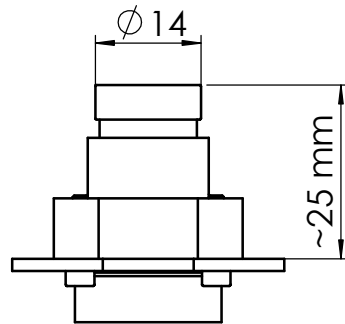
Replacement

Page 4 to 5

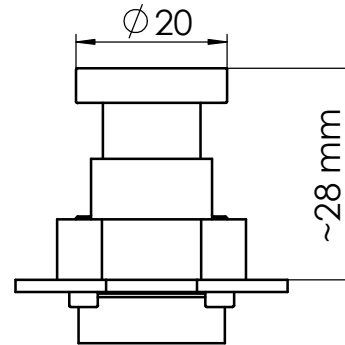
Des. Changes Date Name



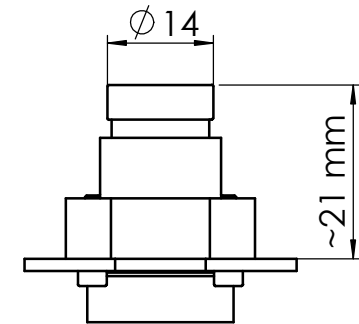
Telephoto lens
25mm



Telephoto lens
16mm



Wide-angle lens
8mm



Wide-angle lens
3,6mm

We reserve all right for this technical document. It may only be used for purposes determined by us and not be reproduced nor duplicated for third party use.

Date	Name
15.04.2004	Stefan Teufel
Control	
Norm	CAD-A4 SolidWorks

Material

Weight

Scale

1:1

Des.	Changes	Date	Name



Sensor Board + Lens

Integration Set_en

Replacement

Page 5 to 5