

# ULISSE THERMAL

## POSITIONING UNIT WITH GERMANIUM GLASS FOR THERMAL CAMERAS

REVISIONE 0945



### MAIN FEATURES

Germanium glass window

Integrated housing, P&T head and telemetry receiver

Continuous rotation

Variable speed: 0.1°-100°/s Pan and 0.1°-40°/s Tilt

Configuration through OSD (On Screen Display)

Multiprotocol

IP66

### DESCRIPTION

The ULISSE with Germanium glass has been developed for applications with thermal cameras. The clear Germanium glass composition with remarkable properties covers transmission from 7.5 to 14µm IR range with the best optical quality. The positioning unit can be used in several kinds of installations, such as: fire monitoring and rescue, public safety, intruder monitoring (harbour, airport, dam, river), industrial monitoring, environment monitoring, military purposes, marine (port and harbour surveillance, vessel navigation), night vision security surveillance, etc.

The ULISSE positioning system integrates a high performance P&T head with camera housing and telemetry receiver. The rotation on the horizontal axis is continuous with a variable speed up to 100°/s while the amplitude on the vertical axis varies from +90° to -40° with a max speed of 40°/s.

ULISSE controls the functions of autopan and patrol with a tracking accuracy of 0.02° on preset positions upon recall. Preset positioning and zoned areas can be labelled with a maximum of 20 characters.

Patrol sequences can also be varied with different speed settings in order to customize a perfect patrol pattern.

4 local alarm inputs and 2 relay outputs allow for intelligent local action on alarm, such as a scanning to a specific preset or a patrol sequence.

It is equipped with thermostatically controlled heater and sunshield assuring an optimal operating temperature.

In addition to the OSD set-up, the system is equipped with an RS232 interface allowing the possibility to update to the latest firmware version. The positioning system is controlled through a RS485/RS422. The telemetry signal can be transmitted in an active way for chain configuration of several ULISSE units together.

Multiple communication protocols are embedded.



ULISSE THERMAL

AVAILABLE MODELS					
Code	Sunshield	Power supply 230Vac	Power supply 24Vac	Integrated MPEG4 video server	Ø Germanium Glass
UPT1SVGA000C	•	•			55mm
UPT2SVGA000C	•		•		55mm
UPT1SVGAX00C	•	•		•	55mm
UPT2SVGAX00C	•		•	•	55mm

## TECHNICAL DATA

### GENERAL

Germanium glass window  
 Built-in aluminium and ABS  
 Epoxypolyester powder painting, RAL9002 colour  
 Top mount (OTT)  
 Transmission through toothed belt  
 Slip-ring  
 Electronic limit switches  
 Plug installation thanks to connector and easy replacement on-site  
 Zero backlash  
 Supplied with instruction manual

### MECHANICAL

3 cable glands M16  
 Horizontal continuous rotation  
 Vertical rotation +90° to -40°  
 Variable pan speed: from 0.1° up to 100°/s  
 Variable tilt speed: from 0.1° up to 40°/s  
 Internal usable area: see drawings  
 Preset accuracy: 0.02°

### GERMANIUM GLASS WINDOW

2mm (0.07in) thick, Ø 70mm (2.8in) external, Ø 55mm (2.1in) internal  
 External non-scratch treatment (hard carbon coating)  
 Internal antireflection treatment  
 Spectral range from 7.5 to 14µm IR range  
 Average transmission from 7.5 to 11.5µm, 94%  
 Average transmission from 11.5 to 14µm, 90%

### ELECTRICAL/VIDEO

Input voltage:
 

- 230Vac, 50/60Hz, 100W
- 24Vac, 50/60Hz, 100W

 Absorbed current:
 

- 230Vac, 0.4A
- 24Vac, 4A

 Dimensions of input cables: AWG 16-19  
 Dimensions of signal cables: AWG 20-26  
 Housing standard heater 24Vac, 20W max  
 Camera output: 12Vdc, 800mA  
 Lens output: 6-15Vdc, max 200mA

Only polarity inversion lenses  
 Autopan, Preset, Patrol  
 250 max preset selectable (VIDEOTECH Macro Protocol)  
 20 characters string for Area and Preset titling  
 Use only cameras with composite video output 1Vpp-750hm

### COMMUNICATIONS

Configuration through OSD  
 RS232 interface for PC control set-up and firmware upgrade  
 Two RS485 ports for daisy chain configuration  
 Addressable through dip-switch up 255 units

### PROTOCOLS

AMERICAN DYNAMICS

MACRO

PELCO D

VISTA

*AMERICAN DYNAMICS, PELCO and VISTA are registered trademarks.*

*ULISSE may be interfaced with equipment not manufactured by VIDEOTECH. It is possible that the interface protocols have changed or are in a different configuration from earlier tested units. VIDEOTECH recommends a bench test prior to installation. VIDEOTECH will not be liable for any installation costs or lost revenues in the event a compatibility problem will occur.*

### ENVIRONMENT

Indoor / Outdoor  
 Operating temperature with heater. -20°C / +60°C (-4°F / +140°F)  
 Wind resistance
 

- Operational up to 160km/h (100mph)
- Withstands up to 210km/h (130mph)

 Resistant to salty fog (EN50130-5 and EN60068-2-52)  
 Improved surge immunity: up to 2KV line to line, up to 4KV line to earth (Class 4), to achieve a better protection against lightning

### CERTIFICATIONS

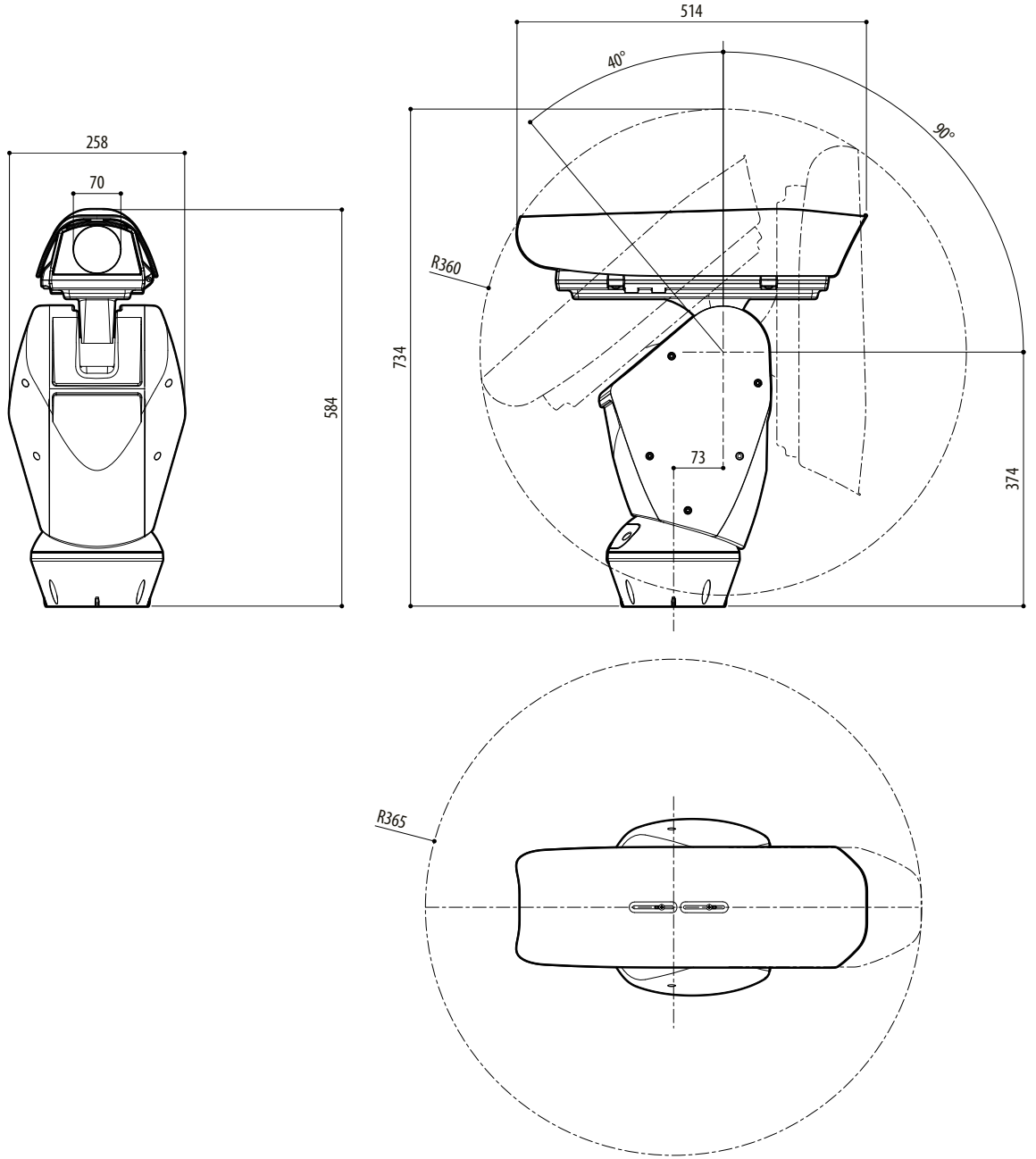
CE EN60950-1, EN61000-6-3 and EN50130-4  
 FCC part 15  
 IP66 EN60529

### BRACKETS AND ADAPTORS

UPTWBA Wall bracket with internal cable channel  
 UPTWBTA Parapet bracket with internal cable channel  
 PTCC1 Pole mount adapter for UPTWBA  
 WCWGC Corner adapter for UPTWBA

### RELATED PRODUCTS

ALBERT Unit for the intelligent digital video content analysis  
 SM42B-SM82B Matrix 4/8 inputs and 2 outputs  
 SM84B-SM164B Matrix 8/16 inputs and 4 outputs  
 SM328B Matrix 32 inputs and 8 outputs  
 DCJ Keyboard to control matrix, multiplexers and telemetry equipped with three axis joystick  
 DCT Touch screen keyboard to control matrix, multiplexers, DVRs and telemetry equipped with three axis joystick

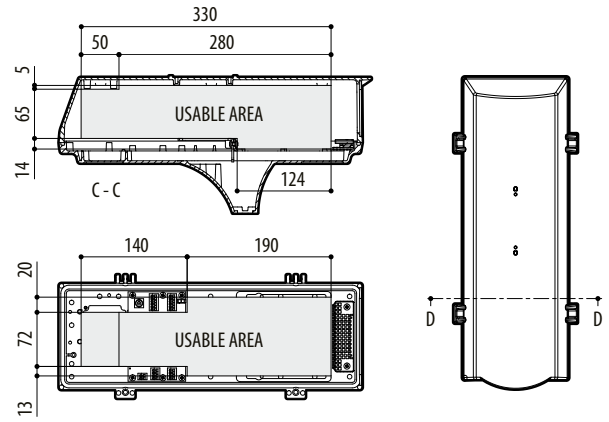
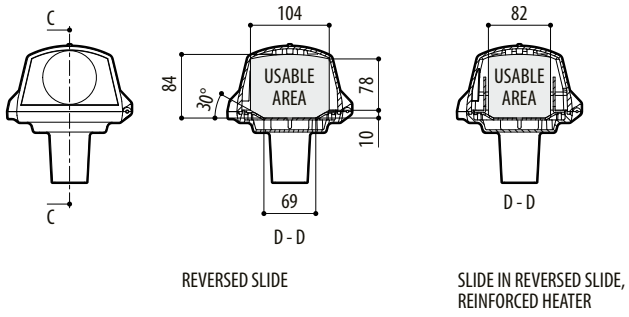
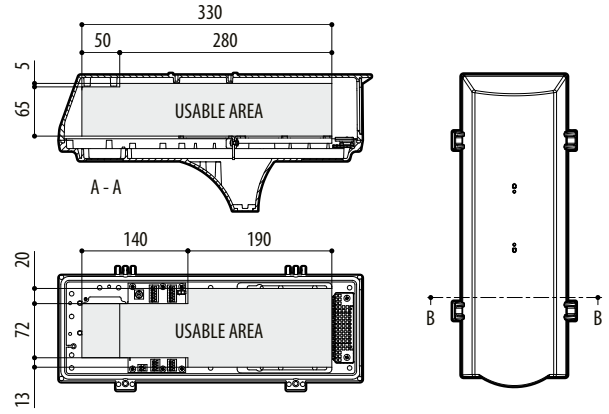
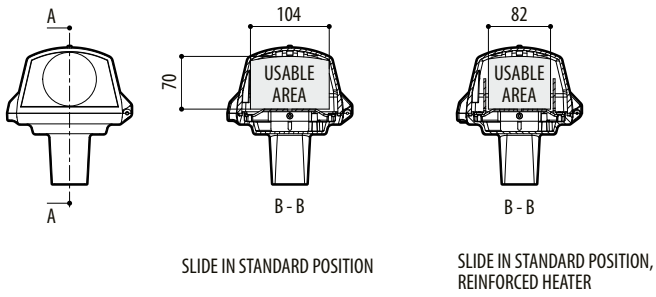


ULISSE THERMAL

mm 1:10

PACKAGE							
Code	Unit weight		Package weight		Package dimensions (WxHxL)		Master carton unit
	kg	lb	kg	lb	cm	in	
UPT1SVGA000C	16.3	35.9	19.5	43.0	66.0x33.0x57.0	26.0x13.0x22.5	-

ULISSE THERMAL



HOUSING

mm 1:10