



- Compact unit comprehensive of day/night camera, P&T head and telemetry receiver
- Variable speed: 0.1°-200°/s Pan and 0.1°-200°/s Tilt
- Pan rotation: continuous; Tilt rotation -90°/+90°
- 36x, 18x or 10x optical (1/3" CCD) zoom capability
- Dynamic video masking of different areas
- Day/night (Auto ICR: automatic removal of IR filter)
- RS485/ RS422 serial interface for control from PC
- Remote firmware upgrade

*ULISSE COMPACT includes integrated high-performance pan-and-tilt telemetry receiver and a day/night camera.*

*With a compact and "aggressive" shape, ULISSE COMPACT offers continuous, high-speed rotation, positioning precision and superior image quality, utmost sturdiness and simplified system configuration. Speed and precision are the predominant pan-and-tilt characteristics, reaching 200°/s in continuous horizontal rotation, with vertical range between -90° to +90°.*

*ULISSE COMPACT manages the preset, auto-pan and patrol functions with an accuracy 0.1°.*

*ULISSE COMPACT performs a continuous control of its position to verify the correct positioning of the camera at any time; this is a very useful function in case of severe environmental conditions, such as strong wind, heavy vibrations, etc.*

*The integrated SONY cameras offer a selection from different zoom lenses, 36x, 18x or 10x, which allow the recording with exceptional precision of both close-by and far away objects, as well dynamic privacy zone masking. Furthermore, the Super HAD, 1/3" CCD (version with 10x optical zoom) guarantees an excellent sensitivity in poorly lit environments.*

*Besides the OSD configuration, the system is equipped with an RS485/RS422 interface for complete system control and for the updating in remote mode of the latest firmware version.*

*ULISSE COMPACT is the ideal solution for demanding safety and monitoring applications such as: traffic and highways monitoring, coastal and harbour checks, borders, stadiums and industries surveillance, as well as surveillance of prisons, military installation and perimeter watching.*



# ULISSE COMPACT

## COMPACT POSITIONING UNIT WITH CAMERA



### TECHNICAL DATA

#### ULISSE COMPACT

Model	SONY 10X PAL	SONY 18X PAL	SONY 36X PAL	SONY 10X NTSC	SONY 18X NTSC	SONY 36X NTSC	Power supply 230Vac	Power supply 24Vac	Power supply 120Vac
UC1BSSA000A	•						•		
UC2BSSA000A	•							•	
UC3BSSA000A	•								•
UC1ASSA000A		•					•		
UC2ASSA000A		•						•	
UC3ASSA000A		•							•
UC1PSSA000A			•				•		
UC2PSSA000A			•					•	
UC3PSSA000A			•						•
UC1KSSA000A				•			•		
UC2KSSA000A				•				•	
UC3KSSA000A				•					•
UC1JSSA000A					•		•		
UC2JSSA000A					•			•	
UC3JSSA000A					•				•
UC1NSSA000A						•	•		
UC2NSSA000A						•		•	
UC3NSSA000A						•			•

#### GENERAL

Build in aluminium and ABS  
 Epoxy polyester powder painting, RAL9002 colour  
 Easy installation thanks to the self-centring connector  
 Zero backlash  
 Quick configuration and setup  
 Closed-loop positioning control system

#### MECHANICAL

2 cable glands M16 and 2 cable glands M12  
 Horizontal continuous rotation  
 Vertical rotation -90° to +90°  
 Variable pan speed: from 0.1° up to 200°/s  
 Variable tilt speed: from 0.1° up to 200°/s

#### ELECTRICAL/VIDEO

Input voltage:  
 - 230Vac, 50/60Hz,  
 - 120Vac, 50/60Hz  
 - 24Vac, 50/60Hz

Current consumption:  
 - 24Vac, 4A  
 - 120Vac, 0.8A  
 - 230Vac, 0.4A

Power consumption:  
 - 40W with pan-and-tilt stopped and heating switched off  
 - 60W in motion, with heating switched off  
 - 125W peak, with heating switched on

Other data:  
 - Input cables size: AWG 16-19  
 - Signal cables size: AWG 30-16  
 - Video line: coaxial cable (1Vpp, 750hm)  
 - Functions: Autopan, Preset, Patrol  
 - Maximum number of presets: 250 (VIDEOTECH-Macro Protocol)  
 - 16-character string for zone and preset titling  
 - Accuracy in the positions recalling preset: 0.1°

#### COMMUNICATIONS

Configurable on OSD  
 Half-duplex serial RS485 interface, full-duplex RS422 and daisy-chain architecture  
 Firmware updating from console in remote mode  
 Up to 1024 units, addressable by means of dip-switches

#### PROTOCOLS

MACRO  
 PELCO D  
 AMERICAN DYNAMICS  
*PELCO and AMERICAN DYNAMICS are registered trademarks.*  
*ULISSE COMPACT may be interfaced with equipment not manufactured by VIDEOTECH. It is possible that the interface protocols have changed or are in a different configuration from earlier tested units. VIDEOTECH recommends a bench test prior to installation. VIDEOTECH will not be liable for any installation costs or lost revenues in the event a compatibility problem will occur.*

#### DAY/NIGHT CAMERA 36X

36x optical zoom  
 Wide Dynamic Range  
 High horizontal resolution up to 530 TV Lines  
 Day-Night (Auto ICR)  
 Image Sensor: 1/4" EXview HAD CCD  
 Number of effective Pixels: approx. 380.000 pixel (NTSC), approx. 440.000 pixels  
 Min. night Illumination (ICR ON): 0,01 Lux / 1/4sec. (NTSC), 1/3sec. (PAL) typical  
 Min. day Illumination (ICR OFF): 0,1 Lux / 1/4sec. (NTSC), 1/3sec. (PAL) typical  
 "Shutter Time" automatic increase to improve the night surveillance

# ULISSE COMPACT

## COMPACT POSITIONING UNIT WITH CAMERA



S/N Ratio: more than 50dB  
 AE Control: Auto, Manual, Priority mode, Bright, EV compensation, Backlight compensation  
 Back Light Compensation: On/Off  
 Spherical masking (3D) of Privacy zones with automatic upgrade  
 Privacy Zone Masking: On/Off (24 positions)  
 Maximum number of masking blocks to be displayed: 8  
 Resolution of masking blocks: 160x120 HxV  
 Up to 15 different masking types: 14 colour types or mosaic  
 Focusing System: Auto (Sensitivity: Normal, Low), Trigger PTZ, Manual "Smart" Lens Control (SONY Modular Automatic Lens Reset Technology)  
 High Zoom and Wide Horizontal Field of View Capability  
 Lens: 36x Optical Zoom, f=3.4 (wide) to 122.4mm (tele), F1.6 to F4.5  
 Digital Zoom: 12x (432x with optical zoom)  
 Angle of View (A): 57.8 degrees (wide) to 1.7 degrees (tele)  
 Min. Object Distance: 320mm (wide) to 1500mm (tele)  
 Electronic Shutter Speed: from 1/3 up to 1/100.000sec for PAL version, from 1/4 up to 1/100.000sec for NTSC version  
 SONY is a registered trademark of SONY Corporation, Japan. EXview HAD is a registered trademark of SONY Corporation

### DAY/NIGHT CAMERA 18X

18x optical zoom  
 Day-Night (Auto ICR)  
 Image Sensor: 1/4" EXview HAD CCD  
 Number of effective Pixels: approx. 380.000 pixel (NTSC), approx. 440.000 pixels  
 Min. night Illumination (ICR ON): 0,01 Lux / 1/4sec. (NTSC), 1/3sec. (PAL) typical  
 Min. day Illumination (ICR OFF): 0,1 Lux / 1/4sec. (NTSC), 1/3sec. (PAL) typical  
 "Shutter Time" automatic increase to improve the night surveillance  
 S/N Ratio: more than 50dB  
 AE Control: Auto, Shutter priority, Diaphragm priority, Brightness priority and Manual  
 Back Light Compensation: On/Off  
 Spherical masking (3D) of Privacy zones with automatic upgrade  
 Privacy Zone Masking: On/Off (24 positions)  
 Maximum number of masking blocks to be displayed: 8  
 Resolution of masking blocks: 160x120 HxV  
 Up to 14 different masking types  
 Focusing System: Auto (Sensitivity: Normal, Low), Trigger PTZ, Manual "Smart" Lens Control (SONY Modular Automatic Lens Reset Technology)  
 High Zoom and Wide Horizontal Field of View Capability  
 Lens: 18x Optical Zoom, f=4.1 (wide) a 73.8mm (tele), F1.4 to F3.0  
 Digital Zoom: 12x (216x with optical zoom)  
 Angle of View (A): 48 degrees (wide) to 2.8 degrees (tele)  
 Min. Object Distance: 290mm (grandangolo) a 800mm (tele)  
 Electronic Shutter Speed: from 1/1 up to 1/100.000sec for PAL version, from 1/1 up to 1/100.000sec for NTSC version  
 SONY is a registered trademark of SONY Corporation, Japan. EXview HAD is a registered trademark of SONY Corporation

### HIGH SENSITIVITY DAY/NIGHT CAMERA 10X

10x optical zoom  
 High sensitivity thanks to the Image Sensor 1/3" Super HAD CCD II  
 High horizontal resolution up to 530 TV Lines  
 Day-Night (Auto ICR)  
 Number of effective Pixels: approx.380.000 pixel (NTSC), approx 440.000 pixel (PAL)  
 Min. night Illumination (ICR ON): 0,0004 Lux / 1/4sec. (NTSC), 1/3sec. (PAL) typical  
 Min. day Illumination (ICR OFF): 0,015 Lux / 1/4sec. (NTSC), 1/3sec. (PAL) typical  
 Shutter Time" automatic increase to improve the night surveillance  
 S/N Ratio: more than 50dB  
 AE Control: Auto, Shutter priority, Diaphragm priority, Brightness priority and Manual  
 Back Light Compensation: On/Off  
 Spherical masking (3D) of Privacy zones with automatic upgrade  
 Privacy Zone Masking: On/Off (24 positions)  
 Maximum number of masking blocks to be displayed: 8  
 Resolution of masking blocks: 160x120 HxV  
 Up to 15 different masking types:14 colour types or mosaic  
 Focusing System: Auto (Sensitivity: Normal, Low), Trigger PTZ, Manual "Smart" Lens Control (SONY Modular Automatic Lens Reset Technology)  
 Lens: 10x Optical Zoom, f=5.1mm (wide) to 51.0mm (tele), F1.8 to F2.1  
 Digital Zoom: 12x (120x with optical zoom)  
 Angle of View (A): 52 degrees (wide) to 5.4 degrees (tele)  
 Min. Object Distance: 15mm (wide) to 800mm (tele)  
 Electronic Shutter Speed: from 1/1 up to 1/100.000sec for PAL version, from 1/1 up to 1/100.000sec for NTSC version  
 SONY is a registered trademark of SONY Corporation, Japan. EXview HAD is a registered trademark of SONY Corporation

### ACCESSORIES

**UPTWBA** Wall bracket with internal cable channel  
**UPTWBTA** Parapet bracket with internal cable channel

### RELATED PRODUCTS

**PTCC1** Pole mount adapter for UPTWBA  
**WCWGC** Corner adapter for UPTWBA  
**ALBERT** Video Agent for intelligent digital video content analysis  
**DCJ** Keyboard to control matrix, multiplexers and telemetry equipped with three axis joystick  
**DCT** Touch screen keyboard to control matrix, multiplexers, DVRs and telemetry equipped with three axis joystick

# ULISSE COMPACT

## COMPACT POSITIONING UNIT WITH CAMERA



### ENVIRONMENT

Indoor / Outdoor

Operating temperature with heater: -40°C / +60°C [-4°F / +140°F]

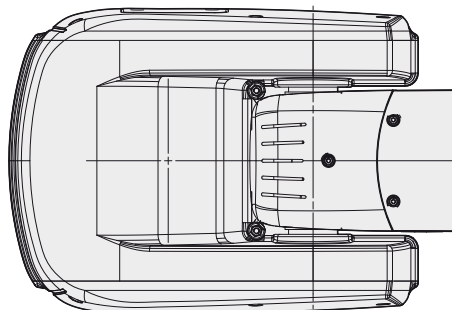
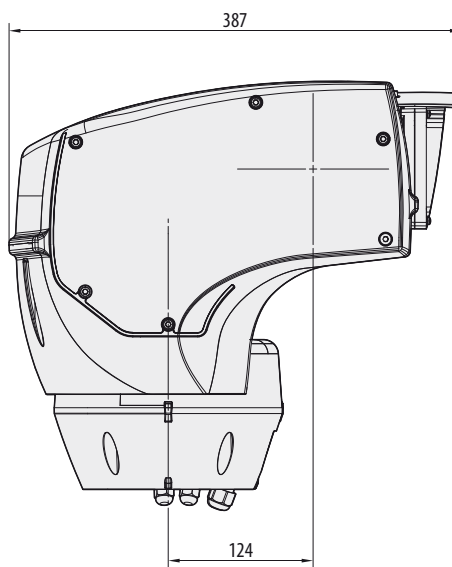
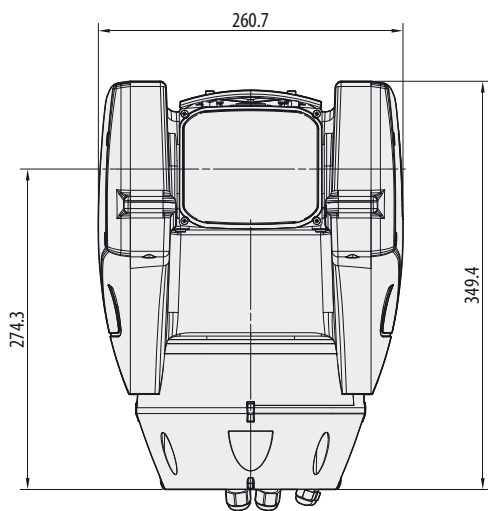
Improved surge immunity: up to 2KV line to line, up to 4KV line to earth (Class 4), to achieve a better protection to lightening transients

### COMPLIANCE TO

CE according to EN60950, EN61000-3-2 and EN50130-4

FCC part 15

IP66 according to EN60529



The values are in millimeters.

9

INTEGRATED POSITIONING UNITS



**Unit Weight:**  
UC1PSSA000A 16.3kg / 36lb

**Package Weight:**  
UC1PSSA000A 19.5kg / 43lb

**Package Dimension (WxHxL):**  
UC1PSSA000A 66x33x57cm / 26x13x22.5in

**Master Carton:**  
UC1PSSA000A -